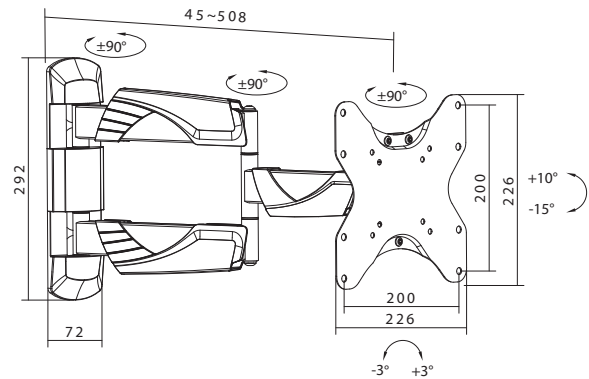
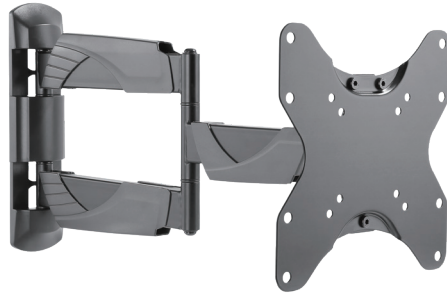


Full Motion Articulating TV Wall Mount

For most 23" ~ 42" Flat Panel & Curved TV's & Monitors

LMMA2342



Dimensions (mm)

DESCRIPTION:

Full motion, articulating wall mount is designed for most 23"-42" flat panel TVs up-to 35kg/77lbs. This mount allows your TV to be tilted for glare control, optimum viewing angle and can be pulled out from the wall 508mm. Three pivot points allow for creating the perfect viewing angle for your display. The preassembled arm comes complete with cable management and decorative covers for a clean and tidy look and the single stud design makes installation easy.

FEATURES:

- ◆ Fits most 23" ~ 42" Flat & Curved TVs
- ◆ Supports up to 77lbs
- ◆ Fully Articulating Arm
- ◆ Single Stud Design
- ◆ VESA 75x75,100x100,200x100,200x200
- ◆ UL Listed

INCLUDED ACCESSORIES:

- 1x allen wrench, 1x box wrench
- 4x each M4x14, M5x14, M6x14, M8x20 screws
- 4x D5 washers, 4x D8 washers
- 8x spacers, 2x finish caps
- 4x mounting screws, grommets, washers

SPECIFICATION	LMMA2342
Screen Size:	23" ~ 42"
Fits Curved TV:	Yes
Material:	Steel
Weight Capacity:	35kg (77lbs)
Strength Tested:	4 Times Approved
Mounting Hole Pattern:	VESA
VESA Compatible:	75x75,100x100,200x100,200x200
Max. Mounting Hole:	200x200
Free Tilting	Yes
Tilt Range:	+10° ~ -15°
Swivel Range:	+90° ~ -90°
Screen Level:	+3° ~-3°
Installation:	Solid Wall, Single Stud
Panel Type:	Detachable Panel
Wall Plate Type:	Fixed Wall Plate
Cable Management:	Yes
Accessory Kit Package:	Normal/Ziplock Polybag,Compartment Polybag
Instruction Manual Included:	Yes
Profile:	69 ~ 635mm (2.7"~25")
Metal Sheet Thickness:	VESA Panel = 1.8mm (0.071") Wall Plate = 2.5mm (0.098")
Color:	Matte Black
Surface Finish:	Powder Coating
Dimensions:	508x226x292mm(20"x8.9"x11.5")
Net Weight	3.05kg (7.72lb)
Certification:	UL